



ULTRAFLO 700 & 750 SERIES REELS

The ULTRAFLO 700 & 750 Series Reels are a cost effective solution to increasing your efficiency whilst not compromising quality or performance.

FEATURES & BENEFITS:

- Spring retractable fuel/ oil delivery hose reel
- Ideal for mobile and permanent-mount applications
- Substantial base frame: The full width frame has the greatest amount of mounting area and overall strength
- Full flow stress free swivel design
- Ideal for many Industrial and Mining applications
- Reel that stands up to the toughest environments

700 SERIES SPECIFICATIONS:

Hose I.D.	1"
Hose Length (m)	15
Pressure	500 psi
Inlet	1" (F)
Reel Outlet	1" (F)
Dimensions	60x80x95

750 SERIES SPECIFICATIONS:

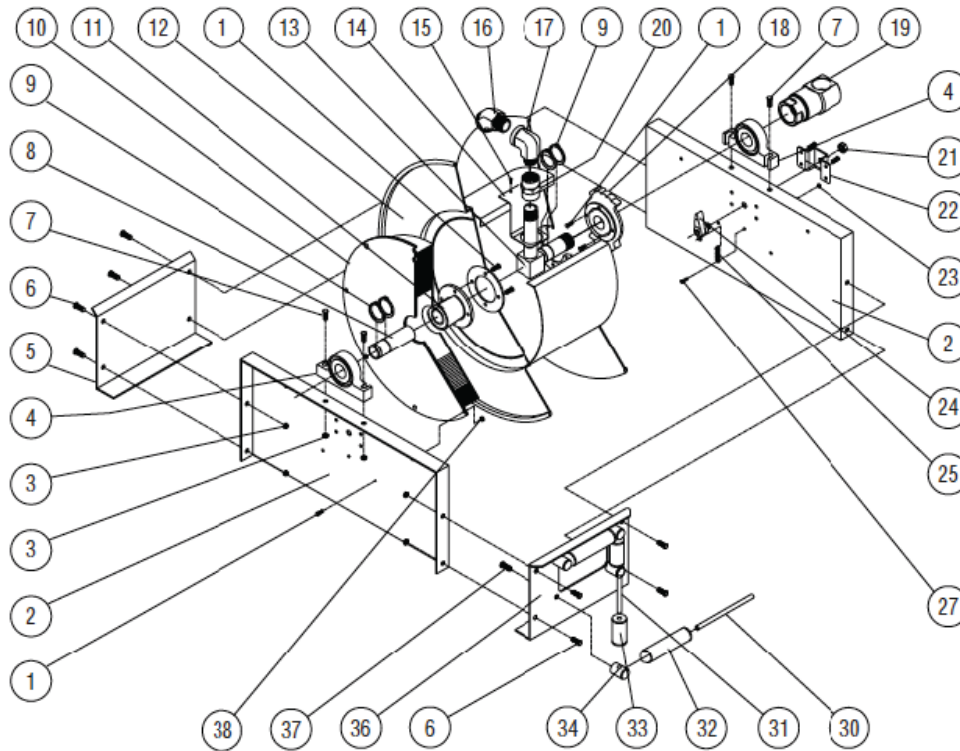
Hose I.D.	1" & 1/2"
Hose Length (m)	15
Pressure	600 psi
Inlet	1" & 1/2" (F)
Reel Outlet	1" & 1/2" (F)
Dimensions	60x80x95



PART NO.		WEIGHT
AF-UF-G700	ULTRAFLO 700 Series Bare Reel - Capacity: 15m x 1"	51 Kg
AF-UF-G700H	ULTRAFLO 700 Series Reel w/ 15m x 1" Hose	51 Kg
AF-UF-G750	ULTRAFLO 750 Series Bare Reel - (Capacity 15m x 1-1/2") - Standard Red Paint	61 Kg
AF-UF-G750H	ULTRAFLO 750 Series Reel w/ 15m x 1-1/2" Hose	61 Kg



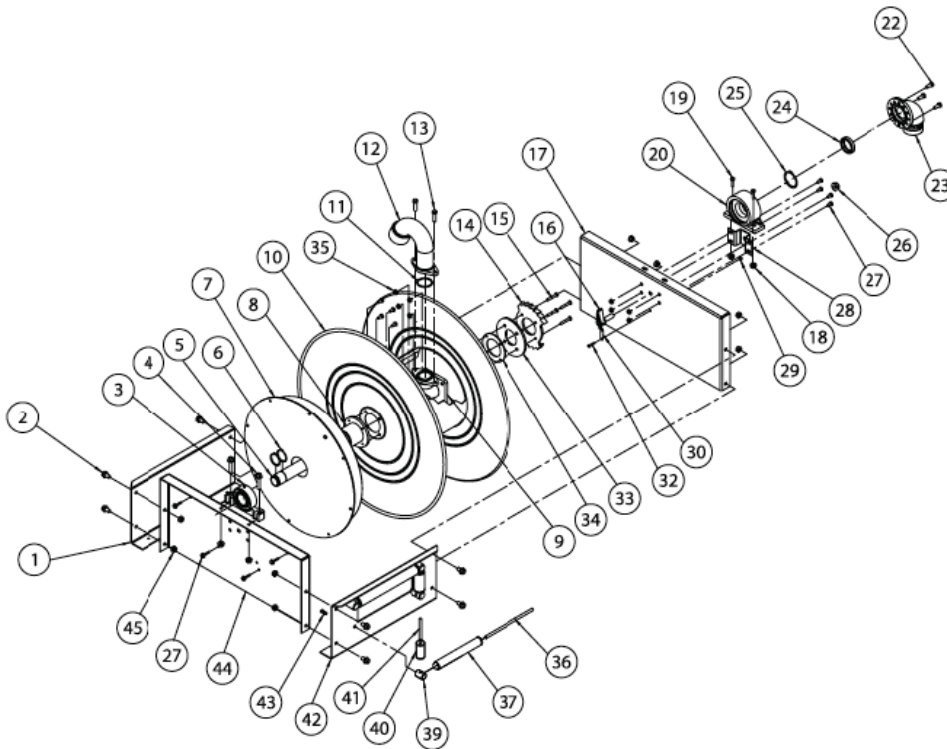
ULTRAFLO 700 SERIES OIL REEL



ITEM	PART #	# REQ	DESCRIPTION	ITEM	PART #	# REQ	DESCRIPTION
1	S2-41	16	1/4-20 x 1/2" hex screw	20	262625	1	Hex coupling
2	270009-46	2	Side frame	21	S280-8	1	1/2-20 hex flange nut
3	S281-6	12	3/8-16 hex flange nut	22	260934-46	1	Latch bracket
4	S600416	2	Pillow block	23	S82-15	1	10-32 x 3/8" nyloc nut
5	2700012-46	1	End frame support	24	S600454	1	Latch pawl assembly
6	S44-2	8	3/8-16 x 5/8" mach. screw	25	260067-1	1	Latch spring
7	S44-8	4	3/8-16 x 1 3/4" screw	27	S393-2	1	10-32 shoulder screw
8	260899	1	Support shaft	30	S270016	2	Guide roller pin - long
9	S140-34	4	Snap ring	31	S270015	2	Guide roller pin - short
10	6000413-2-46	1	Spring case assembly	32	262436-5.468	2	Guide roller
11	260888	1	Spring arbor	33	262436-2.968	2	Guide roller
12	600414-46	1	Sheave assembly	34	S270014	4	Guide roller post
13	602364	1	Inlet tube	36	270011-46	1	Hose guide roller plate
14	270029-46	1	Hose outlet support	37	S2-51	4	5/16-18 x 1/2" hex screw
15	S32-136	1	#10 x 3/8" self tap screw	38	S281-4	8	1/4-20 hex nut
16	262627	1	45° street ell				
17	262626	1	90° street ell				
18	26889	1	Latch ratchet				



ULTRAFLO 750 SERIES OIL REEL



ITEM	PART #	# REQ	DESCRIPTION	ITEM	PART #	# REQ	DESCRIPTION
1	261112-46	1	End frame	23	S261700	1	90° Adapter
2	S44-2	8	3/8-16 x 5/8" screw	24	600947-1	1	Ring seal
3	S600416	1	Pillow block	25	S140-45	1	Snap ring
4	S44-8	2	3/8-16 x 1 3/4" screw	26	S280-8	1	1/2-20 hex nut
5	602313	1	Support shaft	27	S2-41	12	1/4-20 x 1/2" screw
6	S140-34	2	Snap ring	28	260934-46	1	Latch bracket
7	600545-46	1	Springcase assembly	29	S82-15	1	10-32 nyloc nut
8	270888	1	Spring arbor	30	260067-1	1	Latch spring
9	262270	1	Spindle 9000	32	S393-2	1	10-32 shoulder screw
10	600543-46	1	Sheave assembly	33	260586	1	Support washer
11	S211-224	1	O-ring	34	261116-46	1	Ratchet spacer
12	S261694-3	1	Gooseneck	35	S281-4	12	1/4-20 hex nut
13	S347-66	2	3/8-16 x 1" screw	36	261110	2	Guide roller pin
14	261115	1	Latch ratchet	37	262436-10.093	2	Guide roller - long
15	S2-47	4	1/4-20 x 1 1/2" screw	39	S270014	4	Guide roller post
16	S600454	1	Latch pawl assembly	40	262436-2.968	2	Guide roller - short
17	261703-46	1	Side frame	41	S270015	2	Guide roller pin
18	300107	2	5/16-18 hex nut	42	261109-46	1	Hose guide roller plate
19	S2-55	2	5/16-18 x 1" screw	43	S2-51	4	5/16-18 x 1/2" screw
20	602240	1	Bearing housing assembly	44	270009-46	1	Side frame